

Specification

Lithium Polymer Battery Pack LPC18350 850mAh 3.7V without Protection Circuit Module (PCM)
 This data sheet describes the requirements and properties of lithium polymer rechargeable battery pack manufactured by LiPol Battery Co., Ltd - China

Mechanical Characteristics

- Cell ▶ LPC18350
- PCM ▶ No
- NTC ▶ No
- Configuration ▶ 1S1P
- Weight ▶ appr. 17.0g

Electrical Specification

- Rated Capacity ▶ 850mAh min, 860mAh typ.
- Nominal Voltage ▶ 3.7V
- Wat-Hour Rating ▶ 3.15Wh
- Max. Operating Voltage Range ▶ 2.75V to 4.20V
- Max. Charge Voltage ▶ 4.2V ± 50mV
- Max. Charge Current ▶ 425mA
- Max. Continuous Discharge Current ▶ **850mAh**
- Discharge Cut Off ▶ 2.75V
- Internal Impedance ▶ <100mΩ
- Expected Cycle Life @ (0.5C/0.5C) @ 23±5°C ▶ 500 cycles ≥ 80%

Cell Protection

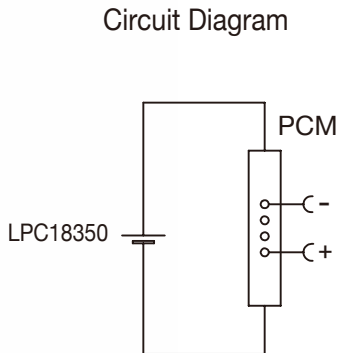
- Overcharge Detection ▶ 4.275 ±50mV (0.7 to 1.3sec. delay, release 4.275V ±50mV)
- Overdischarge Detection ▶ 2.75V ±50mV (14 To 26msec. delay, resume 2.50V ±50mV)
- Overcurrent Detection ▶ 2A to 2.5A (8 to 16msec. delay)

Ambient Conditions

- Charge Temp. Range ▶ 0 to +45°C
- Discharge Temp. Range ▶ -20 to +60°C
- Storage Temp. Range ▶ 1 year at -20 to +30°C >70%
- ▶ 3 months at -20 to +45°C >70%
- ▶ 1 month at -20 to +60°C >70%
- Humidity ▶ 65 ±20%RH

Environmental and Safety

Please follow LiPol Handling and Safety Precautions for Lithium Polymer Battery. This battery meets the requirements of Battery Directives, and the battery parts are IEC 62133 & RoHS-Compliant. For more safety precautions and performance standards, please go to www.lipolbattery.com/support.html



Mae in mm	Freimatoleranzen		Date	Name	LiPol Battery
All dimensions in mm	Generaltolerances		Erst. / Orig	Xie Qingfang	
Als Betriebsgeheimnis anvertraut, alle Rechte vorbehalten	up to 6	0,1	Gepr./check	03.02.2021	
Proprietary data, company confidential, all rights reserved.	over 6 up to 30	0,2	Benennung/ Designation		Zchng. / Dwg. Nr.
	over 30 up to 100	0,3	LPC18350		1
	over 100	0,5	Origin:	support@lipolbattery.com	Index
				FD_4108_10	www.LiPolBattery.com